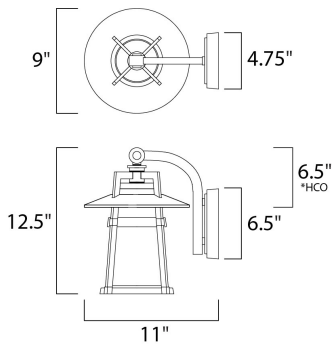




PRODUCT DESCRIPTION

Classic, contemporary style of Die Cast aluminum finished in Adobe features an integral hood and Satin White conical shade, which help cast light in a downward direction.



MEASUREMENTS

DIMENSION : 9" W x 12.5" H x 11" Ext
 BACK PLATE : 4.75" W x 6.5" H x 6.5" HCO
 HANGING WEIGHT : 4.4 lb

LAMPING

INPUT VOLTAGE : 120V
 BULB : 60W Incandescent E26 Medium , 60W Total
 BULB INCLUDED : (Not Included)
 DIMMABLE : Yes

*height from center of outlet to the top of the fixture

FINISHES OPTION

■ Adobe (AE)

GLASS

Satin White SW

MATERIAL

Die Cast Aluminum, Glass

RATINGS

cETLus
 Wet Location



ADDITIONAL

OPERATING TEMPERATURE:
 -20°C (-4°F), 40°C (104°F)

Always consult a qualified electrician before installing any lighting product.

STUDIO•M

Modifications or Customizations: Please email contract@studiomlighting.com
 Sample Request: Please email order@studiomlighting.com with subject line
 "Sample Order_ [Project Name] / [Specifier/Designer]"
 All samples are subject to Studio M approval and must show proof of project and/or explanation.

Job Name:	Job Type:
Quantity:	Comments: