



PRODUCT DESCRIPTION

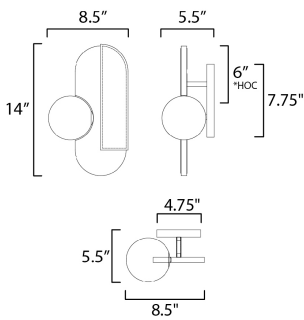
Expertly fabricated metalwork constructed to support artisan craft leatherwork in Dark Brown tones. Configured to illuminate orbs of light supported at various positions, the white glass spheres cast ambient light from the included LED lamps diffused within. The hand applied Brushed Bronze finish compliments the luxurious, genuine Dark Brown leather creating a warm soft modern lighting product. Conspicuously joined together around the frame's center, the leather features eye-catching saddle stitching. An exercise in master craftsmanship, the Stitched Collection presents a playful, yet handsomely casual lighting collection that agrees with both modern and transitional aesthetics.

MEASUREMENTS

DIMENSION : 8.5" L x 4.75" W x 14" H x 5.5" Ext
 MAX OAH : 134" OAH x 4.75" W x 14" H
 HANGING WEIGHT : 5.02 lb


LAMPING

INPUT VOLTAGE : 120V
 LUMENS : 400 Rated (350 Del.)
 BULB : 4W LED G9 ,
 BULB INCLUDED : (Included)
 DIMMABLE : Y
 CRI : 90 CRI
 COLOR_TEMP : 3000K
 LIGHTING_DIRECTION : Indirect



*height from center of outlet to the top of the fixture

FINISHES OPTION

 Brushed Bronze (BBZ)

MATERIAL

Steel + Aluminum + Leather

RATINGS

cETLus
 Dry Location



ADDITIONAL

SLOPE:
 RATED LIFE 25000 Hours
 OPERATING TEMPERATURE:
 -20°C (-4°F), 40°C (104°F)

Always consult a qualified electrician before installing any lighting product.



Modifications or Customizations: Please email contract@studiomlighting.com
Sample Request: Please email order@studiomlighting.com with subject line "Sample Order_ [Project Name] / [Specifier/Designer]"
 All samples are subject to Studio M approval and must show proof of project and/or explanation.

Job Name:	Job Type:
Quantity:	Comments: