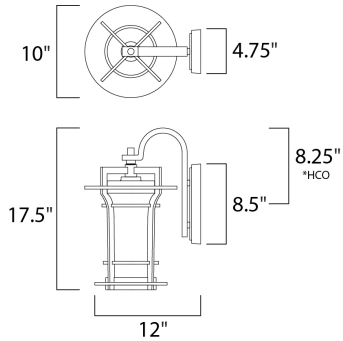




PRODUCT DESCRIPTION



*height from center of outlet to the top of the fixture


MEASUREMENTS

DIMENSION : 10" W x 17.5" H x 12" Ext
 BACK PLATE : 4.75" W x 8.5" H x 8.25" HCO
 HANGING WEIGHT : 9.9 lb

LAMPING

INPUT VOLTAGE : 120V
 LUMENS : 800 Rated
 BULB : 9W LED E26 Medium , 9W Total
 BULB INCLUDED : (Included)
 DIMMABLE : Triac CL
 CRI : 90+ CRI
 COLOR_TEMP : 3000K

FINISHES OPTION

 Black Oxide (BO)

GLASS

Water Glass WG

MATERIAL

Die Cast Aluminum

RATINGS

cETLus
 Wet Location



ADDITIONAL

INCANDESCENT WATTS:
 RATED LIFE 25000 Hours
 OPERATING TEMPERATURE:
 -20°C (-4°F), 40°C (104°F)

Always consult a qualified electrician before installing any lighting product.



Modifications or Customizations: Please email contract@studiomlighting.com
Sample Request: Please email order@studiomlighting.com with subject line "Sample Order_ [Project Name] / [Specifier/Designer]"
 All samples are subject to Studio M approval and must show proof of project and/or explanation.

| | |
|-----------|-----------|
| Job Name: | Job Type: |
| Quantity: | Comments: |