

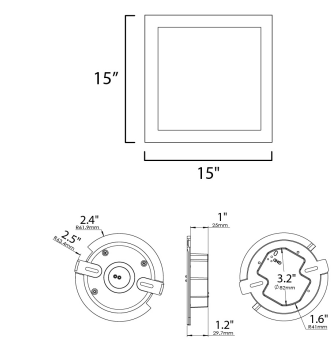


PRODUCT DESCRIPTION

Wafer was designed for the discriminate consumer who wants the low profile look of recessed without the high cost. Manufactured of die cast aluminum, Wafer brings ultimate heat dissipation to its edge lit technology. Edge lighting gives very even light distribution while dispersing heat over a larger area. The result of this is longer LED life and better light diffusion.

FINISHES OPTION

-  Black (BK)
-  Bronze (BZ)
-  Satin Nickel (SN)
-  White (WT)



MEASUREMENTS

- DIMENSION : 15" L x 15" W x 0.5" H
- HANGING WEIGHT : 4.45 lb
- LAMPING**
- INPUT VOLTAGE : 120-277V
- LUMENS : 3,100 Rated (2,500 Del.)
- BULB : 30W LED PCB Integrated , 30W Total
- BULB INCLUDED : (Integrated)
- DIMMABLE : ELV only at 120V
- CRI : 90 CRI
- COLOR_TEMP : 3000K
- LIGHTING_DIRECTION : Down

GLASS

White WT

MATERIAL

Aluminum + Polycarbonate

RATINGS

- cETLus
- Wet Location
- Energy Star
- ADA



ADDITIONAL

INSTALL UP/DOWN: Wall/Ceiling
 RATED LIFE 50000 Hours
 OPERATING TEMPERATURE:
 -20°C (-4°F), 40°C (104°F)

Always consult a qualified electrician before installing any lighting product.



Modifications or Customizations: Please email contract@studiomlighting.com
Sample Request: Please email order@studiomlighting.com with subject line "Sample Order_ [Project Name] / [Specifier/Designer]"
 All samples are subject to Studio M approval and must show proof of project and/or explanation.

Job Name:	Job Type:
Quantity:	Comments: