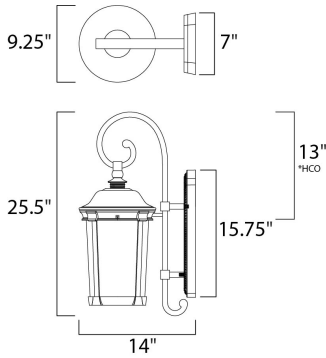




PRODUCT DESCRIPTION



*height from center of outlet to the top of the fixture


MEASUREMENTS

DIMENSION : 9.25" W x 25.5" H x 14" Ext
 BACK PLATE : 7" W x 15.75" H x 13" HCO
 HANGING WEIGHT : 8.8 lb

LAMPING

INPUT VOLTAGE : 120V
 LUMENS : 840 Rated
 BULB : 12W LED PCB Integrated , 12W Total
 BULB INCLUDED : (Integrated)
 DIMMABLE : Triac CL
 CRI : 80+ CRI

FINISHES OPTION

 Bronze (BZ)

GLASS

Seedy CD

MATERIAL

Aluminum

RATINGS

cETLus
 Wet Location
 DARKSKY



ADDITIONAL

OPERATING TEMPERATURE:
 -20°C (-4°F), 40°C (104°F)

PHOTOMETRIC: Report Found Online

Always consult a qualified electrician before installing any lighting product.



Modifications or Customizations: Please email contract@studiomlighting.com
Sample Request: Please email order@studiomlighting.com with subject line "Sample Order_ [Project Name] / [Specifier/Designer]"
 All samples are subject to Studio M approval and must show proof of project and/or explanation.

Job Name:	Job Type:
Quantity:	Comments: