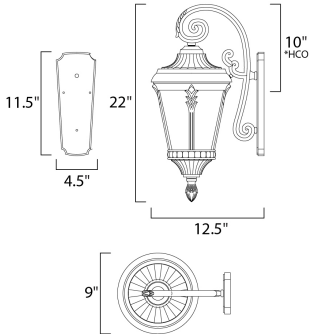




PRODUCT DESCRIPTION

Featuring a Die Cast frame of Black with clear Water Glass and added detail to the support rails, the Sentry collection represents a timeless classic reborn.



*height from center of outlet to the top of the fixture

MEASUREMENTS

DIMENSION : 9" W x 22" H x 12.5" Ext
 BACK PLATE : 4.5" W x 11.5" H x 10" HCO
 HANGING WEIGHT : 6.6 lb

LAMPING

INPUT VOLTAGE : 120V
 BULB : 60W Incandescent E26 Medium , 60W Total
 BULB INCLUDED : (Not Included)
 DIMMABLE :
 LIGHTING_DIRECTION : Down

FINISHES OPTION

Black (BK)

GLASS

Water Glass WG

MATERIAL

Die Cast Aluminum, Glass

RATINGS

cETLus
 Wet Location



ADDITIONAL

INSTALL UP/DOWN: Up
 SLOPE:
 OPERATING TEMPERATURE:
 -20°C (-4°F), 40°C (104°F)

Always consult a qualified electrician before installing any lighting product.



Modifications or Customizations: Please email contract@studiomlighting.com
Sample Request: Please email order@studiomlighting.com with subject line "Sample Order_ [Project Name] / [Specifier/Designer]"
 All samples are subject to Studio M approval and must show proof of project and/or explanation.

Job Name:	Job Type:
Quantity:	Comments: