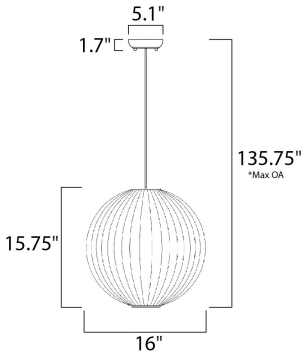




PRODUCT DESCRIPTION

Simple clear glass cylinders are secured by decorative thumb screws in this transitional collection of sconces and pendants both neutral in design and suitable for damp applications. Choose from Satin Nickel or a two-tone Black and Satin Brass finish to pair with popular interior finishes in hardware, plumbing and decor.



*max overall height



MEASUREMENTS

DIMENSION : 39" W x 8.25" H x 5.5" Ext
 BACK PLATE : 4.75" W x 4.75" H x 2.25" HCO
 HANGING WEIGHT : 6.42 lb

LAMPING

INPUT VOLTAGE : 120V
 BULB : 60W Incandescent E26 Medium , 300W Total
 BULB INCLUDED : (Not Included)
 DIMMABLE :

FINISHES OPTION

-  Black / Satin Brass (BKSBR)
-  Satin Nickel (SN)

GLASS

Clear CL

MATERIAL

Steel, Glass

RATINGS

Damp Location



ADDITIONAL

INSTALL UP/DOWN: Up/Down
 SLOPE:
 OPERATING TEMPERATURE:
 -20°C (-4°F), 40°C (104°F)

Always consult a qualified electrician before installing any lighting product.



Modifications or Customizations: Please email contract@studiomlighting.com
Sample Request: Please email order@studiomlighting.com with subject line "Sample Order_ [Project Name] / [Specifier/Designer]"
 All samples are subject to Studio M approval and must show proof of project and/or explanation.

Job Name:	Job Type:
Quantity:	Comments: