



PRODUCT DESCRIPTION

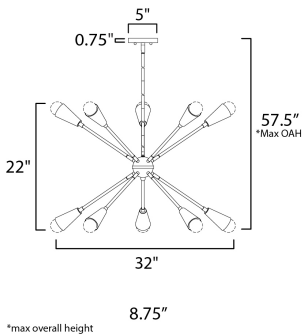
A classic mid-century look, the Lovell collection features two sizes of sputnik chandeliers and streamlined sconces perfect for bath vanity applications. Available in a Black/Satin Brass finish combination. Light bulbs nest inside the metal cones to become an element of the design.

MEASUREMENTS

DIMENSION : 32" W x 22" H
 MAX OAH : 61.25" OAH
 CANOPY : 5" W x 0.75" H
 HANGING WEIGHT : 10.19 lb

LAMPING

INPUT VOLTAGE : 120V
 LUMENS : 9,000 Rated (6,300 Del.)
 BULB : 9W LED E26 Medium , 90W Total
 BULB INCLUDED : (Included)
 DIMMABLE : Y
 CRI : 90 CRI
 COLOR_TEMP : 3000K



FINISHES OPTION

Black / Satin Brass (BKSBR)

MATERIAL

Steel

RATINGS

ULDry Location



ADDITIONAL

SLOPE: 60
 OPERATING TEMPERATURE:
 -20°C (-4°F), 40°C (104°F)

Always consult a qualified electrician before installing any lighting product.



Modifications or Customizations: Please email contract@studiomlighting.com
Sample Request: Please email order@studiomlighting.com with subject line "Sample Order_ [Project Name] / [Specifier/Designer]"
 All samples are subject to Studio M approval and must show proof of project and/or explanation.

Job Name:	Job Type:
Quantity:	Comments: