

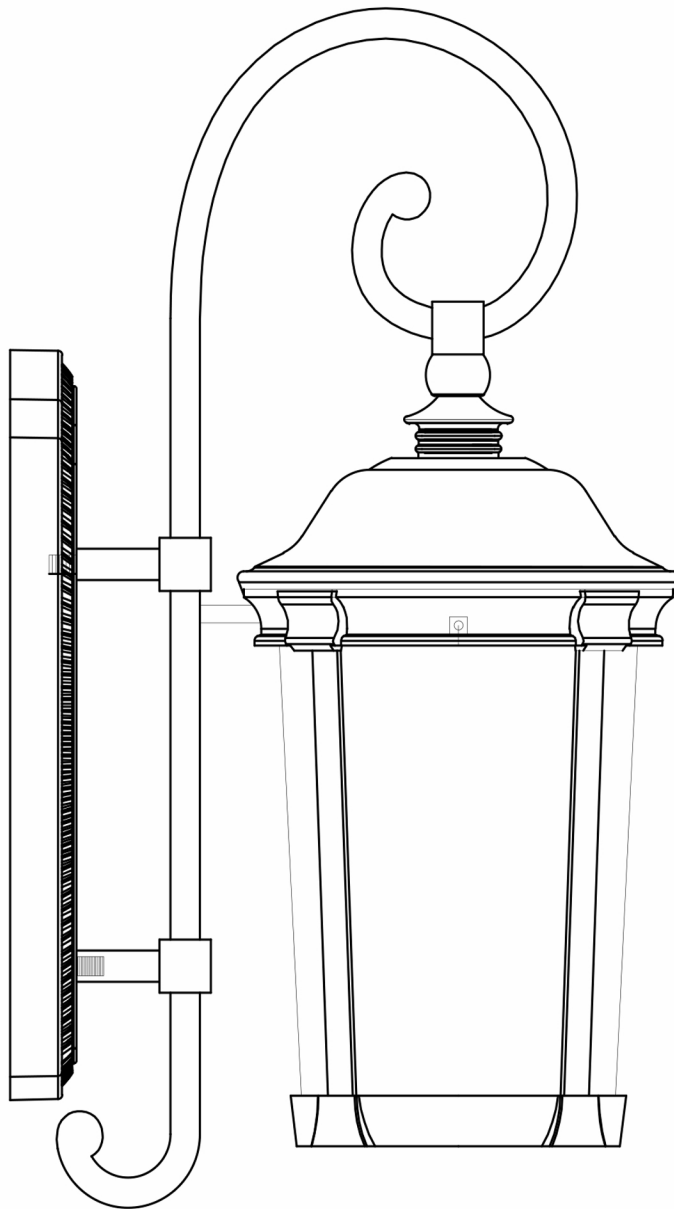
# STUDIO•M

SM565023

Please consult your electrician for hanging fixture and wiring.

**SM565023/SM565024**

Please consult a qualified electrician if you are not certain of the installation.



# STUDIO•M

SM565023

Please consult your electrician for hanging fixture and wiring.

**CAUTION:** Before starting the installation, disconnect the power by turning off the circuit breaker or by removing the fuse at the fuse box.

Carefully unpack and identify all parts before assembly.

## Installation Procedures

1. Inset glass shade into metal frame of fixture and secure using screws on sides (2 pcs).
2. Remove cross bar from fixture and install to outlet box using mounting screws on the cross bar.
3. Wire fixture to outlet box using wire connectors. Attach green ground wire to grounding screw in outlet box. Ensure the matching of black to black (positive) and white to white (neutral).  
(Make sure connections are secure in the right polarity and have good insulation)
4. Carefully tuck the wires into the outlet box as you place the back plate onto the wall. Secure fixture using finial on the protruding screws.

