

# STUDIO•M

SM565021

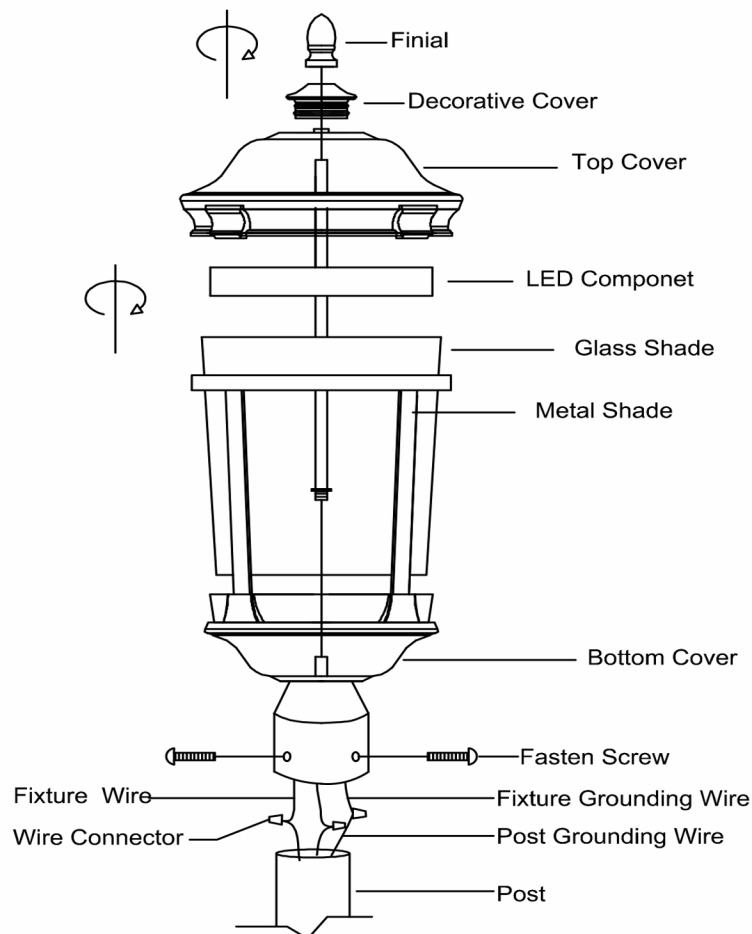
Please consult your electrician for hanging fixture and wiring.

**CAUTION:** Before starting the installation, disconnect the power by turning off the circuit breaker or by removing the fuse at the fuse box.

*Carefully unpack and identify all parts before assembly.*

## Installation Procedures

1. Inset glass shade into metal frame of fixture.
2. Attach top cover to bottom cover at stem and secure by screwing decorative cover and finial to top cover.
3. Pull power supply wires from fixture and wire the fixture to the post. Connect copper ground wire to ground wire, black wire to black wire (positive), white wire to white wire (neutral) using wire connector.
4. Secure the fixture body to the post using the fasten screws provided (3 pcs).



# STUDIO•M

SM565021

Please consult your electrician for hanging fixture and wiring.

Please consult a qualified electrician if you are not certain of the installation.

