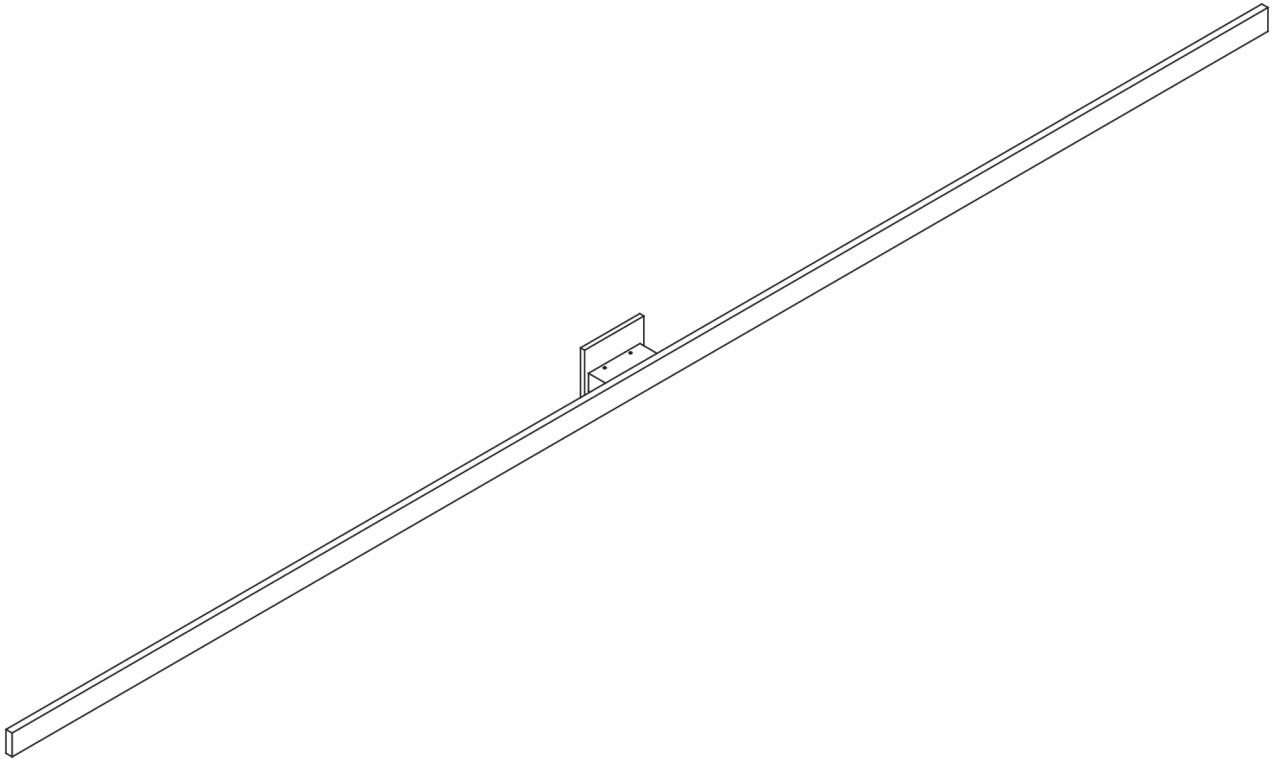


STUDIO•M

SM451348

Please consult your electrician for hanging fixture and wiring.



To prevent water intrusion, caulk around back-plate where fixture meets the wall using outdoor silicone sealant. Leave a small gap at the bottom to allow moisture to exit.

This fixture is designed to dim with an Electronic Low Voltage dimmer. Dimming levels will vary by dimmer. Below is a List of Recommended Dimmers:

- Lutron DVELV-330P
- Lutron MAELV-600M
- Lutron SAELV-153P
- Leviton IPL06-10Z
- Leviton 6674-POW
- Legrand Tru-Universal ADTP703T UW4

Due to inrush current wattage should not exceed 150 watts of product for a 600 watt dimmer.

STUDIO•M

SM451348

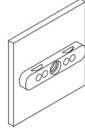
Please consult your electrician for hanging fixture and wiring.

IMPORTANT: Turn off the power at the main fuse or circuit breaker box before starting installation



(A)

Mounting bracket



(B)

Backplate



(C)

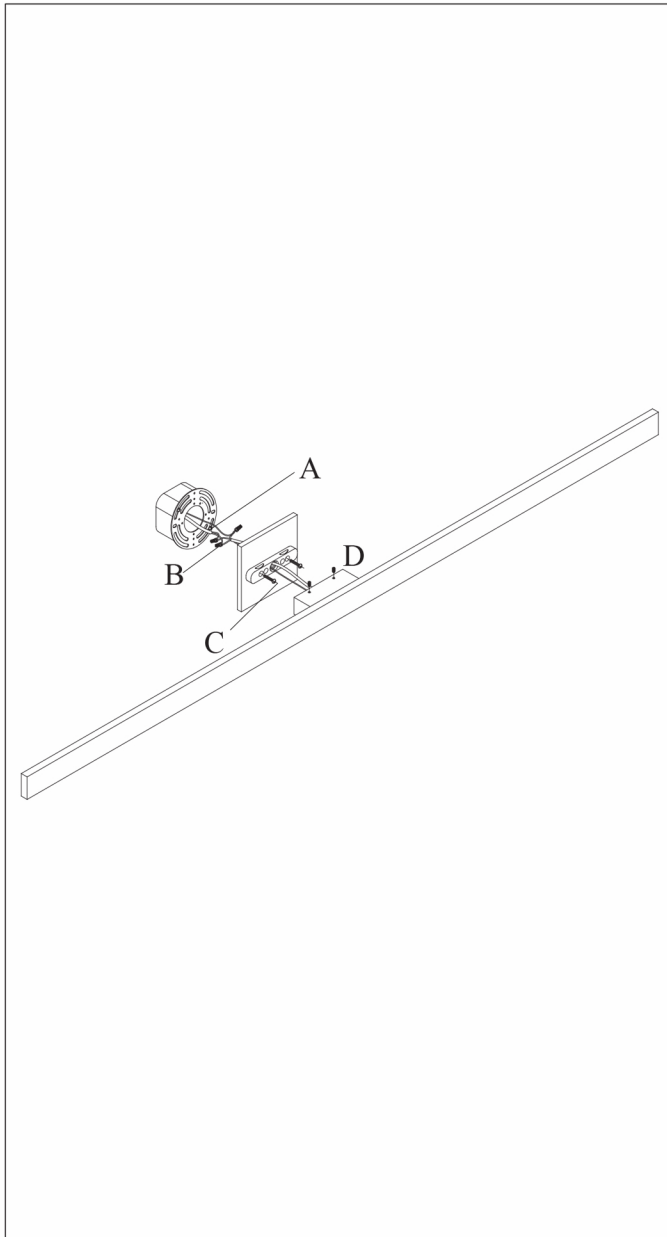
Wire Nuts (x3)



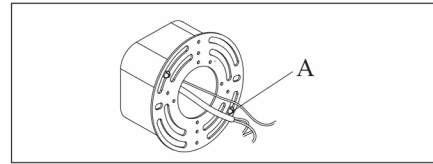
(D)

Mounting screws (x4)

Locate all hardware & components before discarding packaging

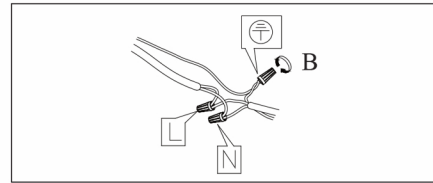


1.)



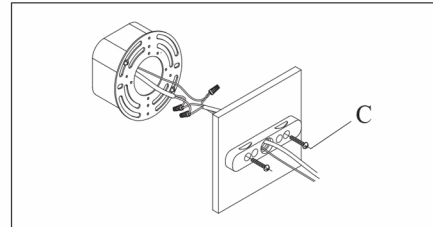
Step.1: Install Mounting bracket(A) to outlet box.

2.)



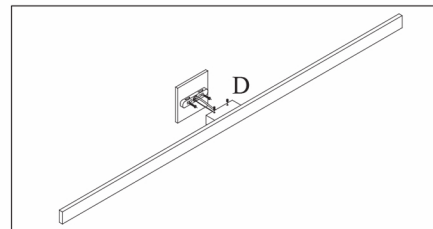
Step.2: Wire fixture to wires in outlet box.
Green/Copper wire is for Ground.

3.)



Step.3: Install Backplate(B) to Mounting bracket(A).

4.)



Step.4: Caulk around fixture with outdoor silicone sealant to prevent water intrusion. Leave a small gap at the bottom to allow moisture to escape. Install fixture to back plate (B) and tighten mounting screws (D) to secure.

Cleaning & Care:

Clean with soft cloth and a mild detergent.
Do not use abrasive cleaner.